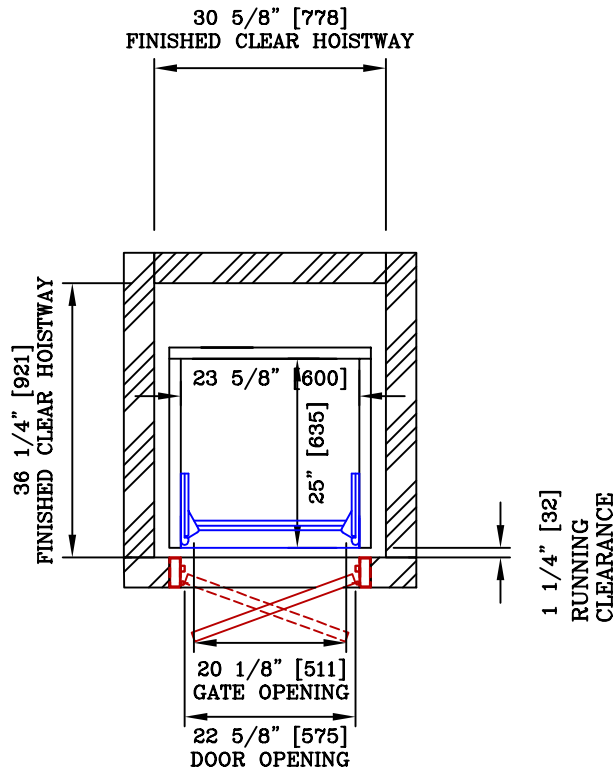
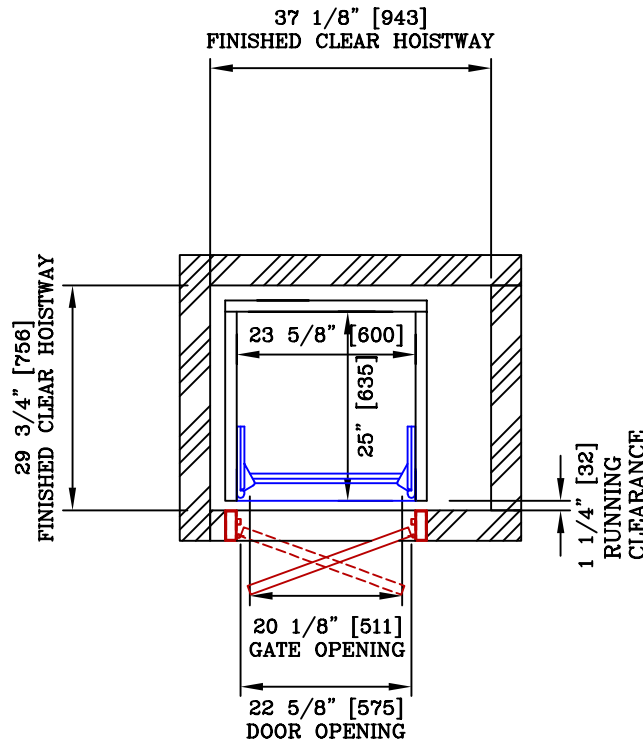


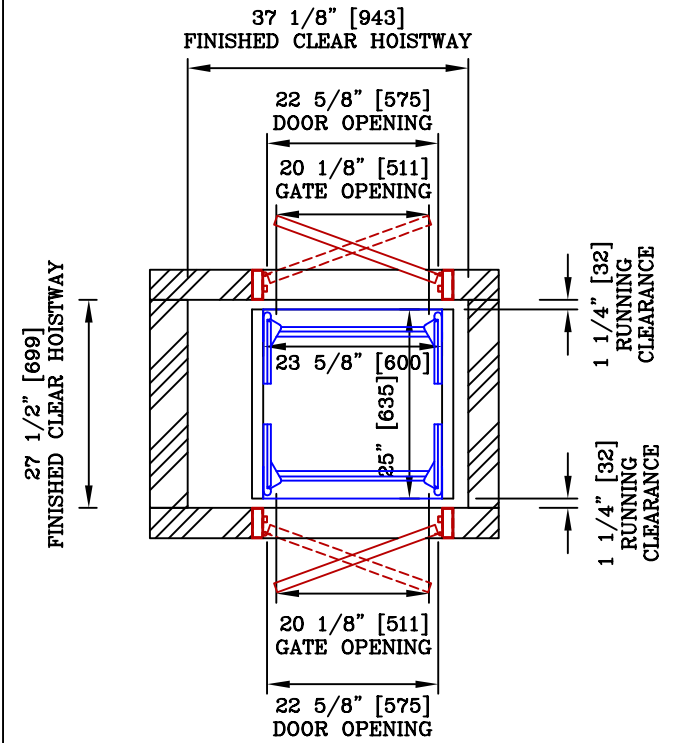
TYPE 'E'



TYPE 'A' RIGHT



TYPE 'B'



FEDERAL ELEVATOR
MISSISSAUGA, ONTARIO, CANADA
www.federalelevator.com

Tel: (905) 458-4015 Fax: (905) 670-0017

NAME	SMALL CAB		
OTHER			
SHEET	1	DWG NO.	
OF	1		REV. 0

REV	DESCRIPTION	DATE	BY	DR'N	SB	DATE	SCALE	N/A

DATE 04/15/21 SCALE N/A