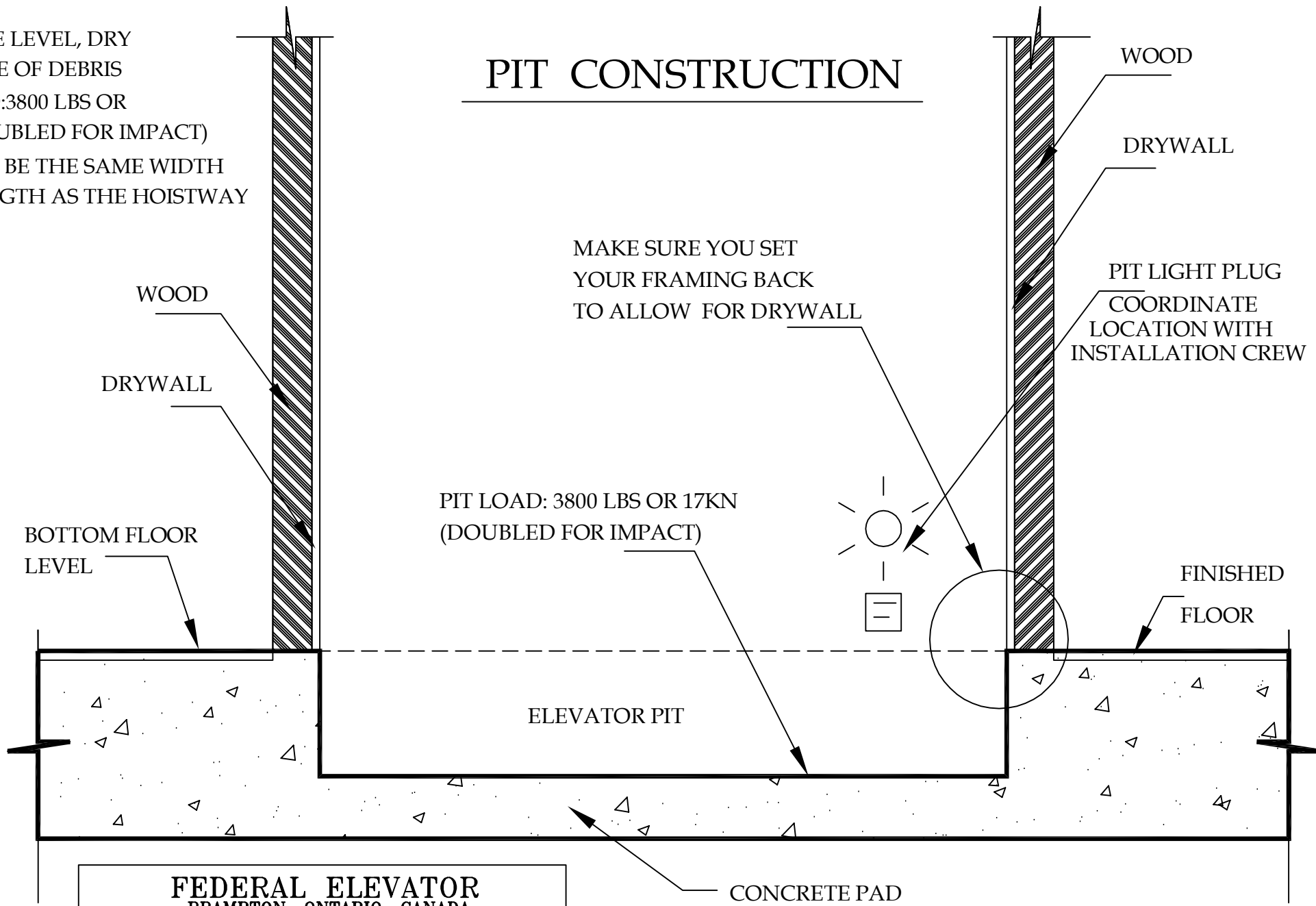


LULA, CARELIFT, COMMERCIAL

PIT CONSTRUCTION

NOTES:

1. PIT TO BE LEVEL, DRY AND FREE OF DEBRIS
2. PIT LOAD: 3800 LBS OR 17KN (DOUBLED FOR IMPACT)
3. PIT MUST BE THE SAME WIDTH AND LENGTH AS THE HOISTWAY



MAKE SURE YOU SET YOUR FRAMING BACK TO ALLOW FOR DRYWALL

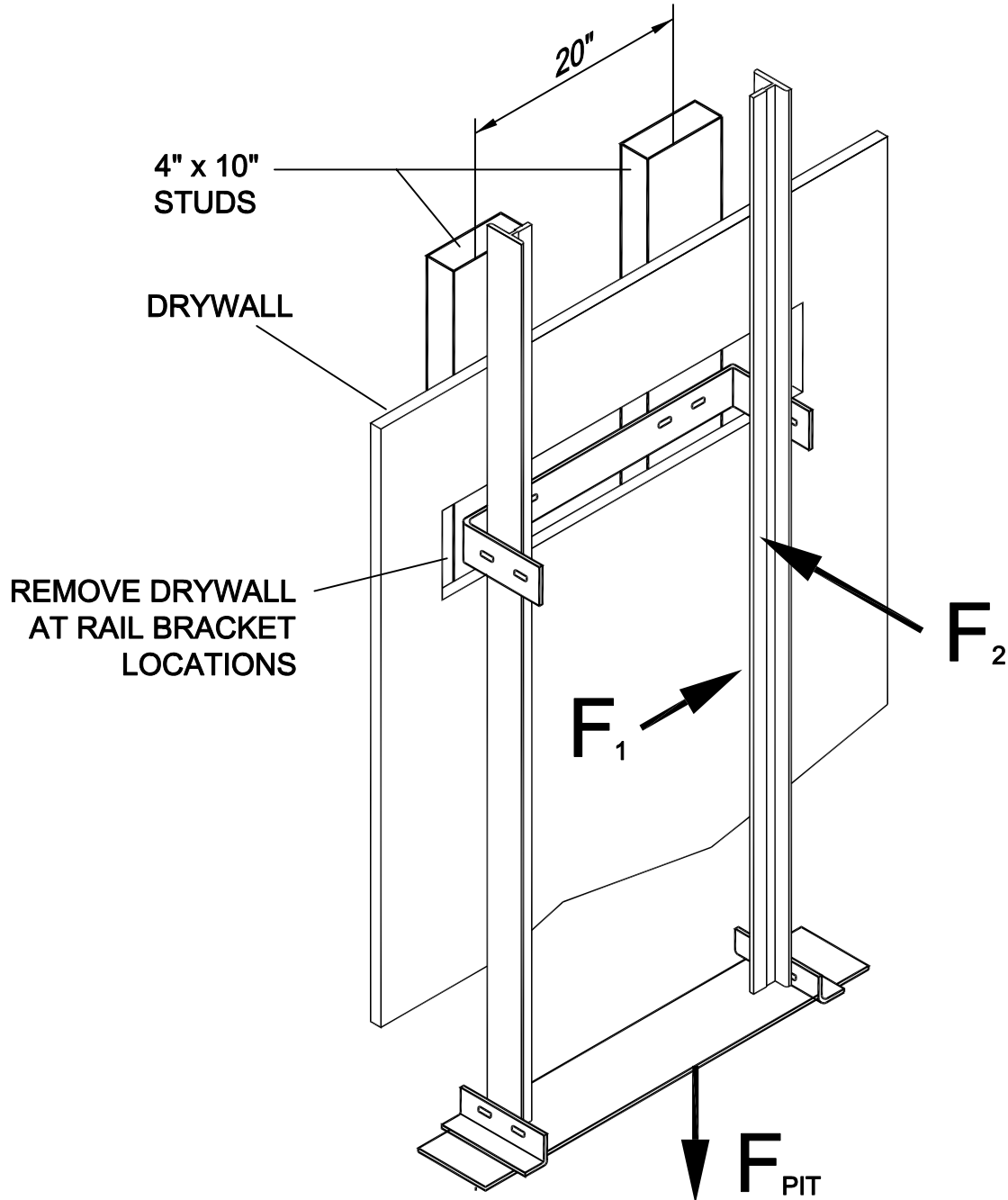
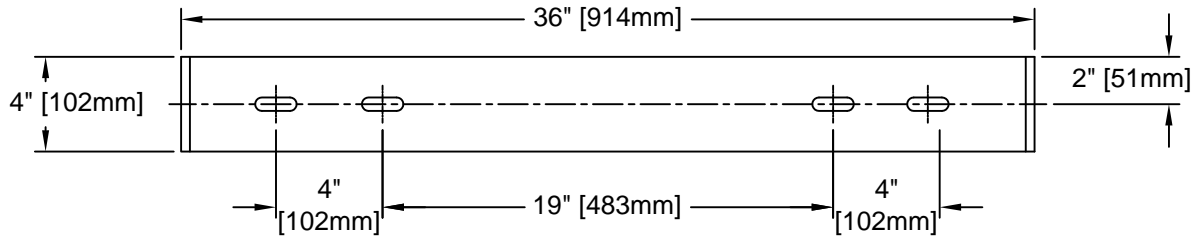
PIT LOAD: 3800 LBS OR 17KN (DOUBLED FOR IMPACT)

PIT LIGHT PLUG
COORDINATE LOCATION WITH INSTALLATION CREW

FEDERAL ELEVATOR
BRAMPTON, ONTARIO, CANADA
WEBSITE: www.federalevators.com
Tel: (905) 458-4015 Fax: (905) 458-0680

CONCRETE PAD

30" D.B.G. RAIL BRACKET



43 WENTWORTH COURT
 BRAMPTON, ONTARIO, CANADA L6T 5L4
 TEL: (905) 458-4015
 1 (888) 785-5438 (LIFT)
 FAX: (905) 458-0680
 www.federalelevator.com
 E-MAIL: sales@federalelevator.com

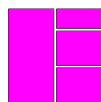
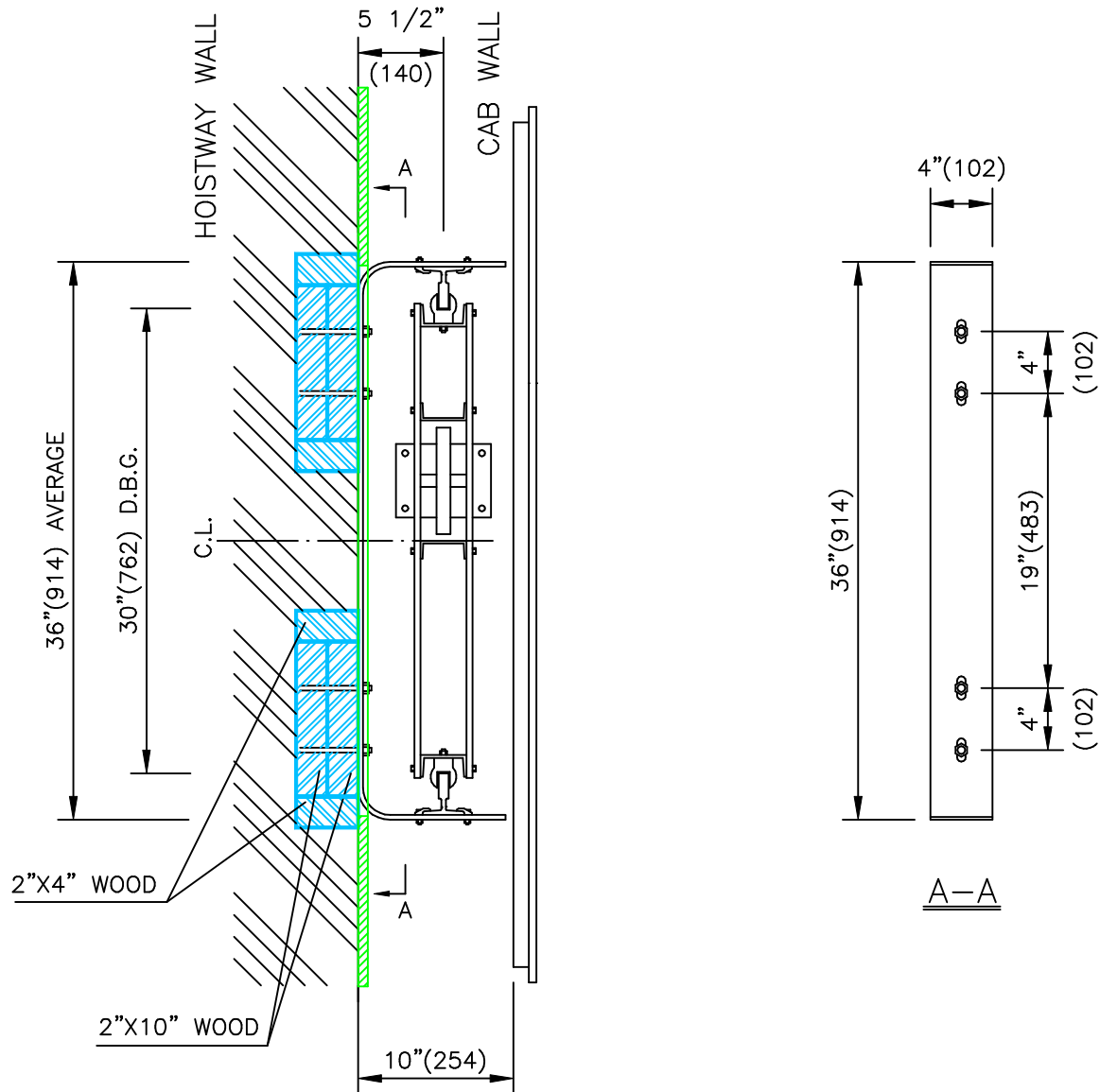
LOAD	DESCRIPTION	LB _f [KN]
F_{PIT}	Load Imposed on Pit Floor (Including Impact)	3825 [17.0]
F_1	Force on Rail	225 [1.0]
F_2	Force on Rail	675 [3.0]

RAIL BRACKET DETAIL ROPED

DIMENSIONS SHOWN BELOW ARE CORRECT FOR INSTALLATION PURPOSES.

CRITICAL DIMENSIONS ARE:

- 1) WALL TO CENTRE OF CYL. = 5 1/2" (140)
- 2) WALL TO CENTRE OF RAIL = 5 1/2" (140)
- 3) WALL TO CAB = 10" (254)



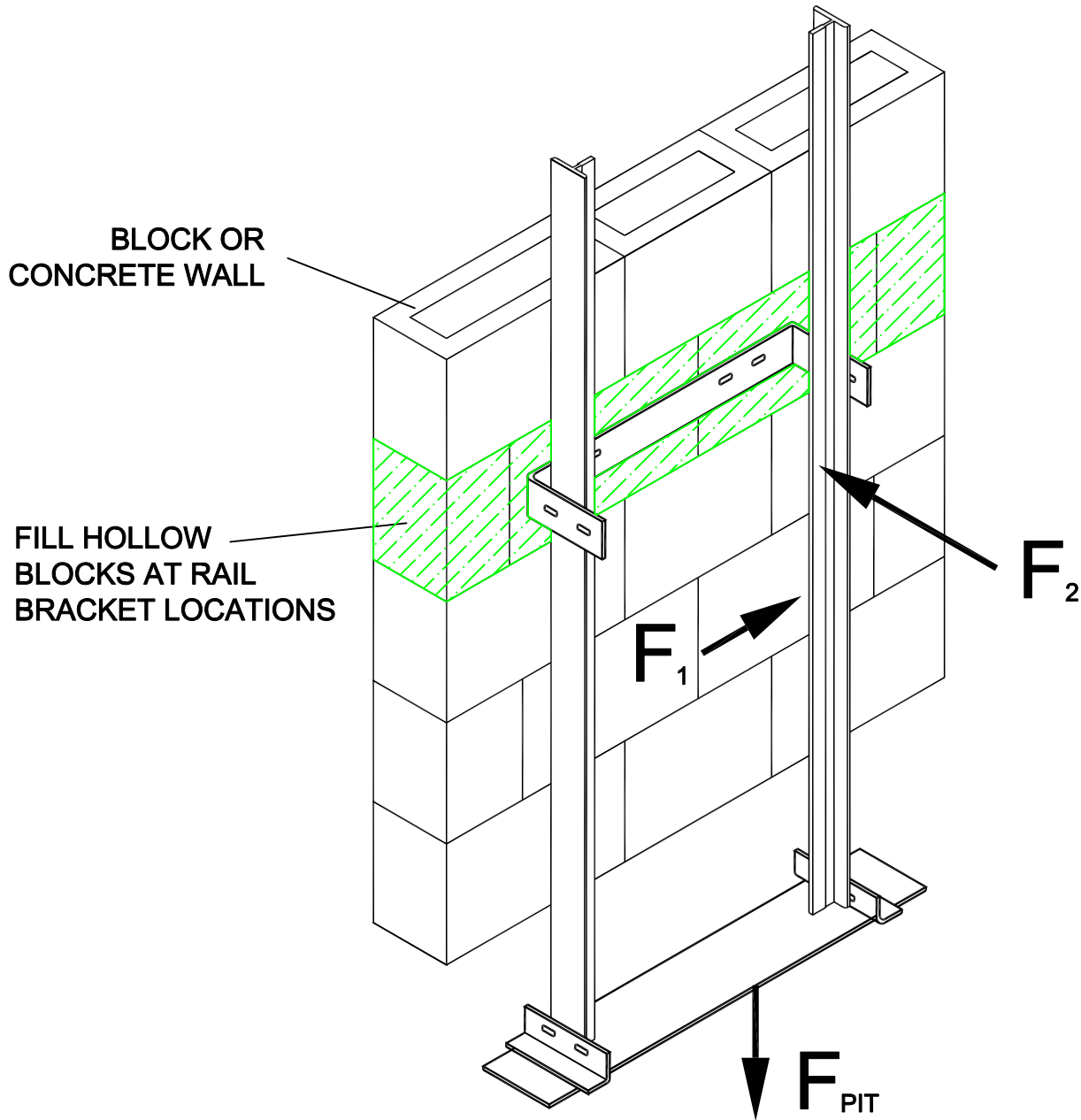
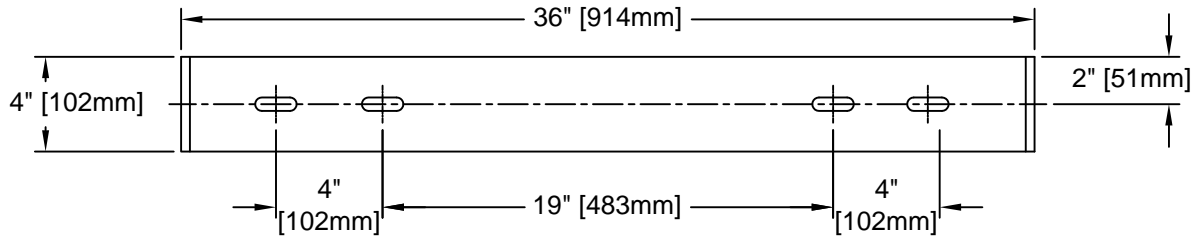
**FEDERAL
ELEVATOR**

FEDERAL ELEVATOR SYSTEMS INC.
BRAMPTON, ONTARIO, CANADA

WEBSITE: www.federalelevator.com

PHONE: (905) 458-4015 FAX: (905) 458-0680

30" D.B.G. RAIL BRACKET



**FEDERAL
ELEVATOR**

43 WENTWORTH COURT
BRAMPTON, ONTARIO, CANADA L6T 5L4
TEL: (905) 458-4015
1 (888) 785-5438 (LIFT)
FAX: (905) 458-0680
www.federalelevator.com
E-MAIL: sales@federalelevator.com

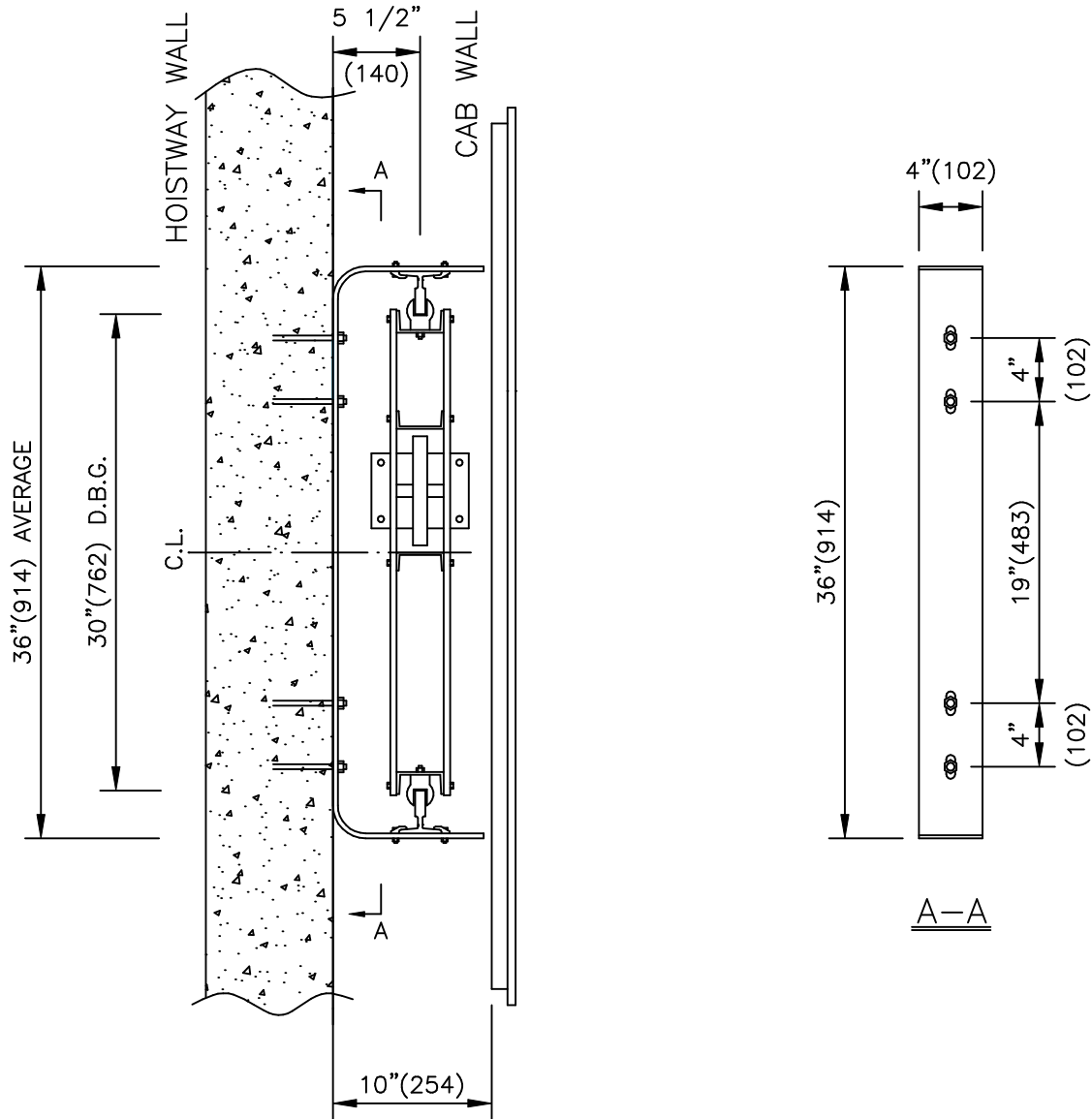
LOAD	DESCRIPTION	LB _f [KN]
F_{PIT}	Load Imposed on Pit Floor (Including Impact)	3825 [17.0]
F_1	Force on Rail	225 [1.0]
F_2	Force on Rail	675 [3.0]

RAIL BRACKET DETAIL ROPED

DIMENSIONS SHOWN BELOW ARE CORRECT FOR INSTALLATION PURPOSES.

CRITICAL DIMENSIONS ARE:

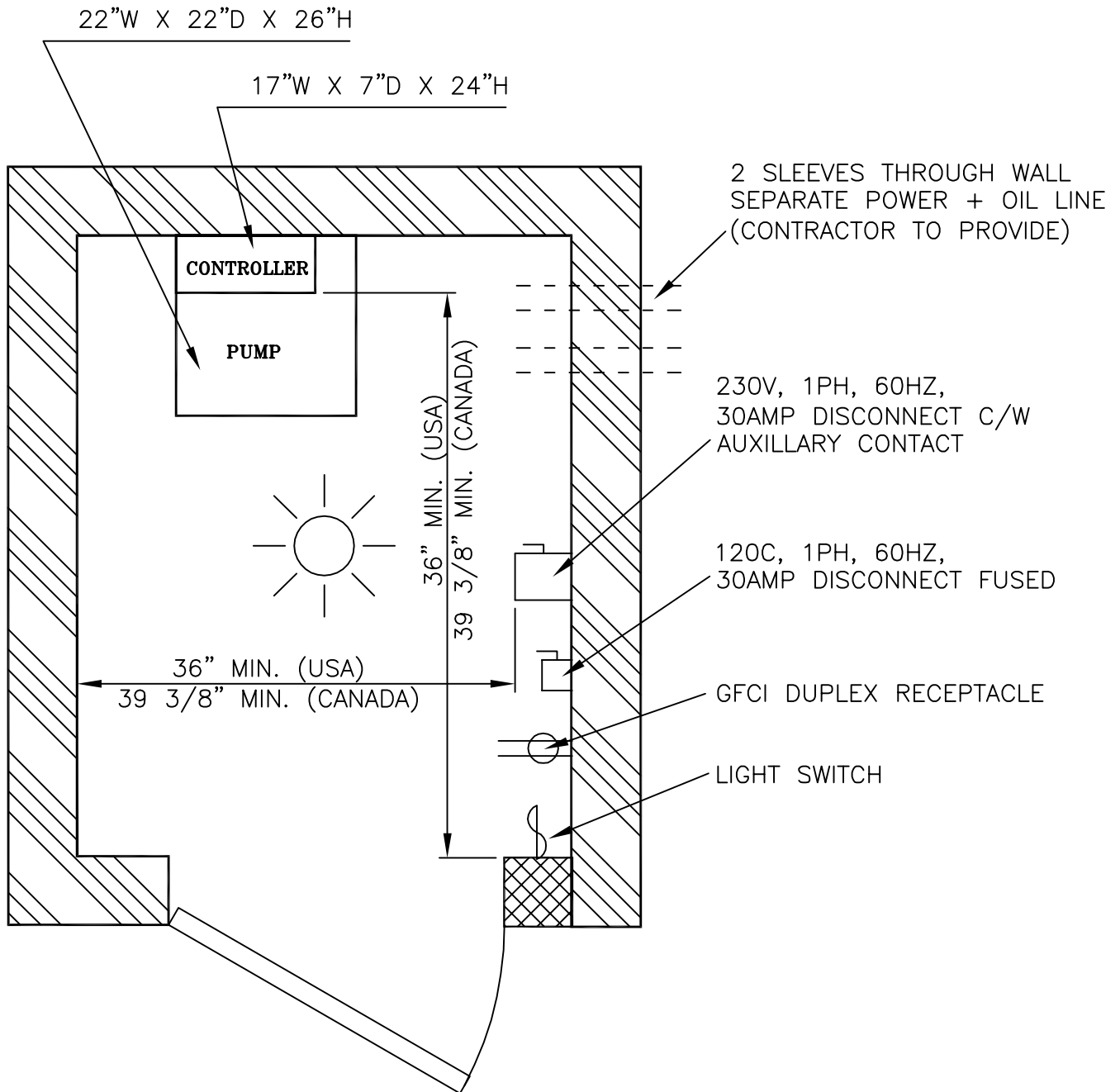
- 1) WALL TO CENTRE OF CYL. = 5 1/2" (140)
- 2) WALL TO CENTRE OF RAIL = 5 1/2" (140)
- 3) WALL TO CAB = 10" (254)



FEDERAL ELEVATOR SYSTEMS INC.
BRAMPTON, ONTARIO, CANADA

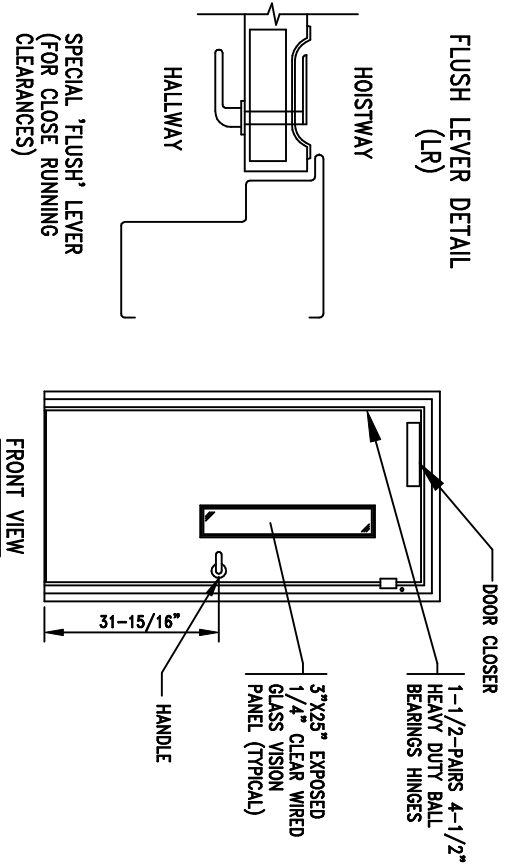
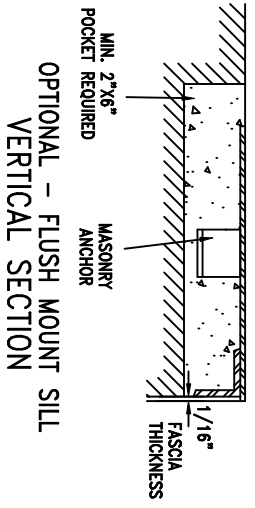
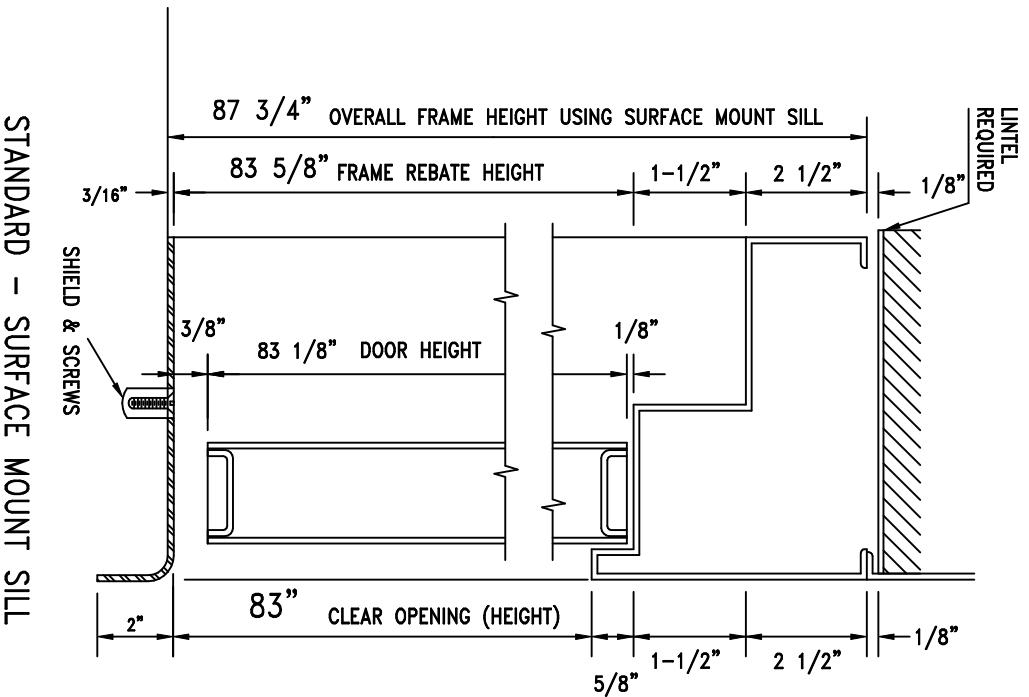
WEBSITE: www.federalelevator.com

PHONE: (905) 458-4015 FAX: (905) 458-0680



FEDERAL
ELEVATOR
Advanced Elevator Systems

43 Wentworth Court
Brampton, Ontario
Canada, L6T 5L4
Tel.: (905) 458-4015
1 (888) 785-5438 (LIFT)
Fax: (905) 458-0680
www.FederalElevator.com



IMPORTANT INFORMATION NEEDED FROM INSTALLING CONTRACTOR:

- Q. WHAT IS MAXIMUM ROUGH OPENING AVAILABLE? 44 1/2" WIDE x _____ HIGH
 (NOTE: PROVIDE AS MUCH ROUGH OPENING AS POSSIBLE FOR GOOD FASTENING AND SATISFACTORY INSTALLATION)
- Q. WHEN ENTRANCE IS SET IN PLACE, DISTANCE FROM HATCH SIDE OF CLOSED DOOR TO CAR SILL (INCHES)? _____ N/A
- Q. (A) WILL FRAMES BE ATTACHED TO BUILDING STRUCTURE BY DRYWALL, BRICK/CONC. BLOCK? N/A
 IF SO - WALL THICKNESS _____ N/A
 (B) WELDED TO STEEL CHANNELS? N/A
 IF SO - SIZE OF CHANNELS _____
 (C) OTHER METHOD (SPECIFY) _____
- Q. FINISH: (A) STANDARD SATIN COAT GAL.
 (B) OTHER (SPECIFY) _____
- Q. SPECIFY VOLTAGE AVAILABLE FOR ELECTRIC STRIKE COIL
 24 VAC (STANDARD) 24 VDC 12 VDC

STANDARD - SURFACE MOUNT SILL

OPTIONAL - FLUSH MOUNT SILL VERTICAL SECTION

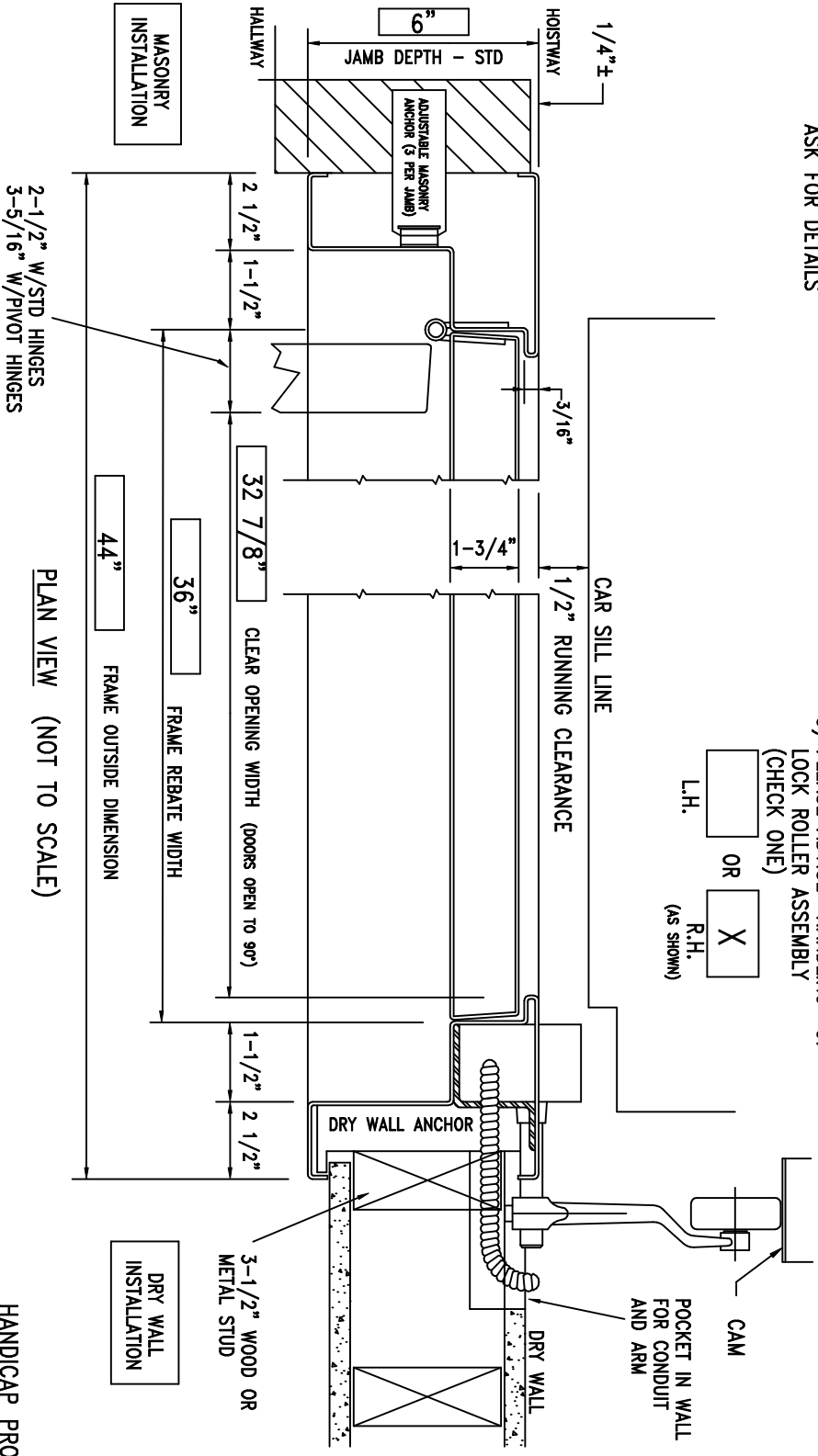
REV	DESCRIPTION	DATE	BY	DRN	ID	DATE	SCALE	N/A	OF	2	DWG NO.	REV.
<p style="text-align: center;">FEDERAL ELEVATOR BRAMPTON, ONTARIO, CANADA Tel: (905) 458-4015 Fax: (905) 458-0680</p>												
<p style="text-align: center;">SINGLE SWING DOOR UNIT SAMPLE DRAWING-84"</p>												
<p style="text-align: center;">H-023B-84</p>												

FRAME				DOORS					
QUANTITY	CONST.	WIDTH	HEIGHT	JAMB DEPTH	QUANTITY	CONST.	WIDTH	HEIGHT	THICKNESS
TBD	16 GA.	44"	83 3/4"	6"	TBD	18 GA.	35 3/4"	79 1/8"	1 3/4"

Note: Door and frames shall be constructed of best quality zinc wipe-coated steel of gauges specified.
 OPTIONAL: ELECTRIC STRIKE IN LIEU OF INTERLOCK - ASK FOR DETAILS

- NOTES:
- 1) ASSEMBLY SHOWN IS RIGHT HAND MOUNTED EXCEPT INTERLOCK
 - 2) UNITS SHIPPED WITH ALL HARDWARE
 - 3) PLEASE ADVISE "HANDLING" OF LOCK ROLLER ASSEMBLY (CHECK ONE)

L.H. OR R.H. (AS SHOWN)



PLAN VIEW (NOT TO SCALE)

HANDICAP PROFILE
 SINGLE SWING DOOR UNIT

REV		DESCRIPTION		DATE	BY	DRN	ID	DATE	SCALE	N/A	OF	2	NAME	SINGLE SWING DOOR UNIT	SHEET	1	DWG NO.	H-023A	REV.	0			
														FEDERAL ELEVATOR		BRAMPTON, ONTARIO, CANADA							
														Tel:(905)458-4015		Fax:(905)458-0680							